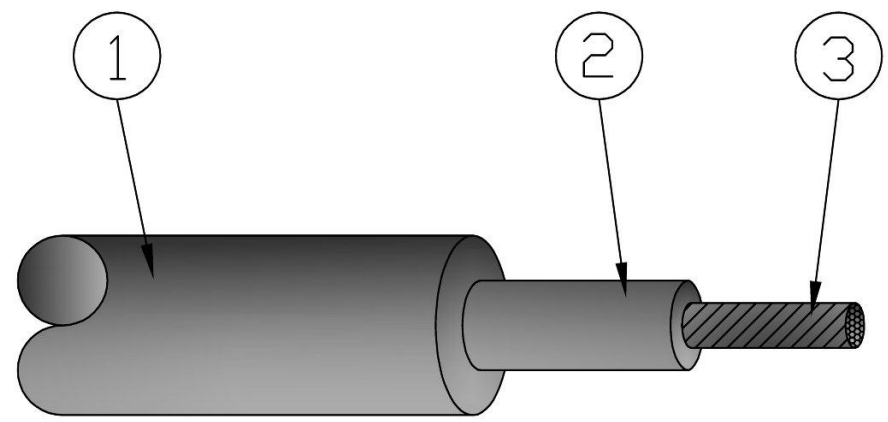


Product Code
010407



Description:
Flame retardant Ignition cable with tinned copper conductor.

Conductor Specification:
19 strands of 0.25mm Tinned Copper Wire (1.0mm CSA) to BS 6360 and DIN 40500, outside diameter of the conductor is 1.29mm ±0.1.

Insulation Specification:
Off white Ethylene Propylene Rubber (EPDM) to give a ϕ of 3.0mm ±0.3.

Reinforcement Specification:
N/A.

Sheath Specification:
CPE chlorinated propylene rubber to give a final ϕ of 5.0mm ±0.3, colour to be agreed with customer.


Technical Specification:
Iso 3808 Parts 1&2 Class C Type 1. Min Breakdown 25kV, Temperature Range -30 to 155 Degrees C.

Cable Printing:
As agreed with customer.

Packaging:
* Standard reel size H=750mm, L=355mm, ϕ 250mm
Max Capacity 5000m.

* Or less to be agreed with customer.

| | | |
|------|---------------------------------|----------|
| 3 | 19x0.25 Tinned Copper Conductor | |
| 2 | EPDM Insulation | |
| 1 | CPE Sheath | |
| L.p. | Material | Comments |

Scale without  Designed by: _____ Date: _____ Product code: **010407**

| | |
|------|--|
| Name | |
| | |